

The WORK : DETROIT Gallery is a 1,175 Square Foot Space located at 3663 Woodward Avenue in the University of Michigan Detroit Center.

Features include:

67 linear feet of perimeter gallery walls that measure 9'-4" tall. They are constructed with 2x6" steel stud framing and have a 1/2" plywood substrate beneath the 5/8" gypsum board surface. They have a 2x6 wood nailer along the top and a flush mounted wood base trim that measures 6".

A moveable C-wall whose main surface measures 144" wide by 91" tall. It is constructed in the same fashion as the perimeter walls.

Gallery Director's Office

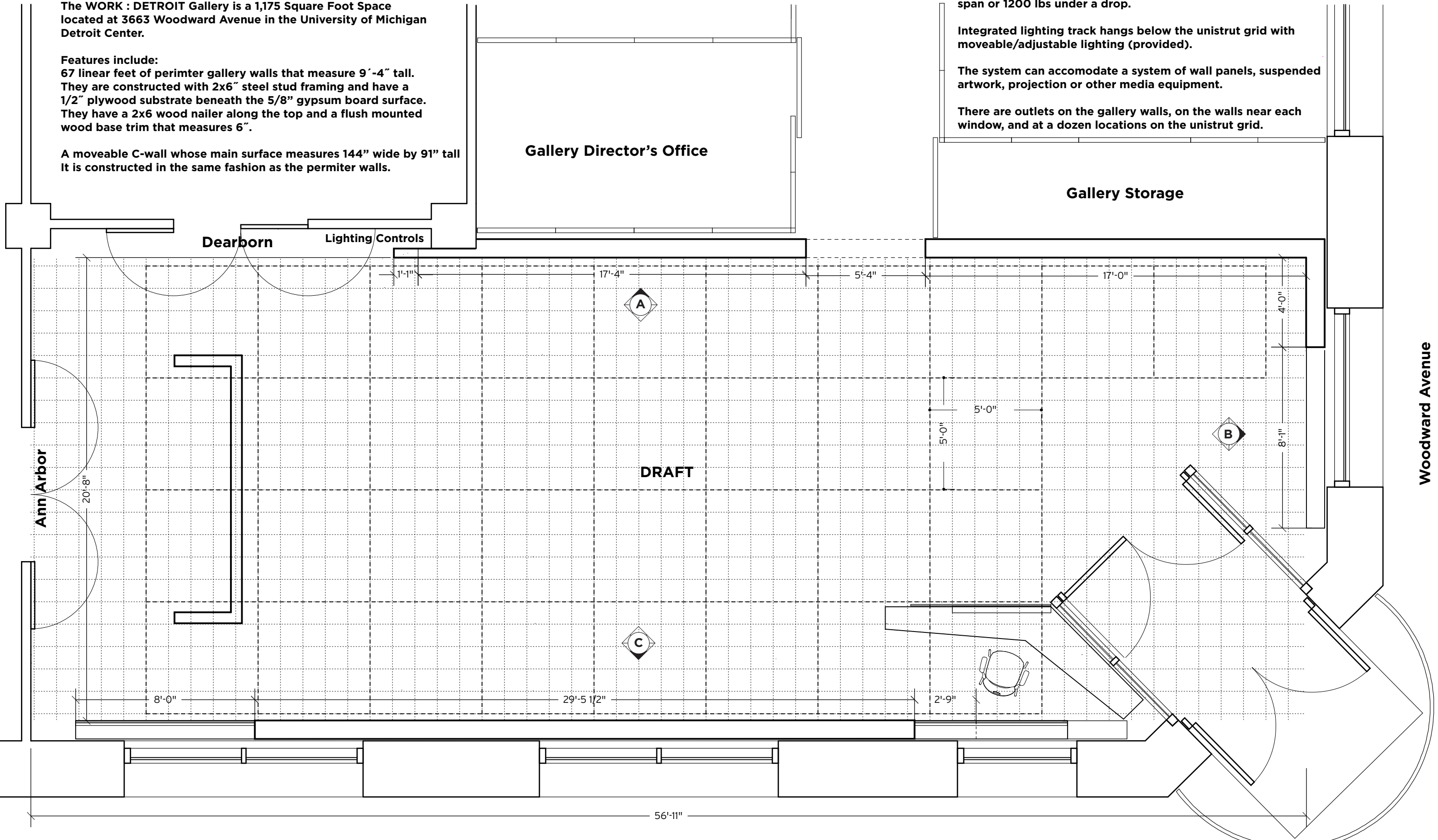
Gallery Storage

A suspended 5'x5' unistrut grid can support uniform loads of 650 lbs per 5 ft span, point loads of 335 lbs at the middle of a span or 1200 lbs under a drop.

Integrated lighting track hangs below the unistrut grid with moveable/adjustable lighting (provided).

The system can accommodate a system of wall panels, suspended artwork, projection or other media equipment.

There are outlets on the gallery walls, on the walls near each window, and at a dozen locations on the unistrut grid.

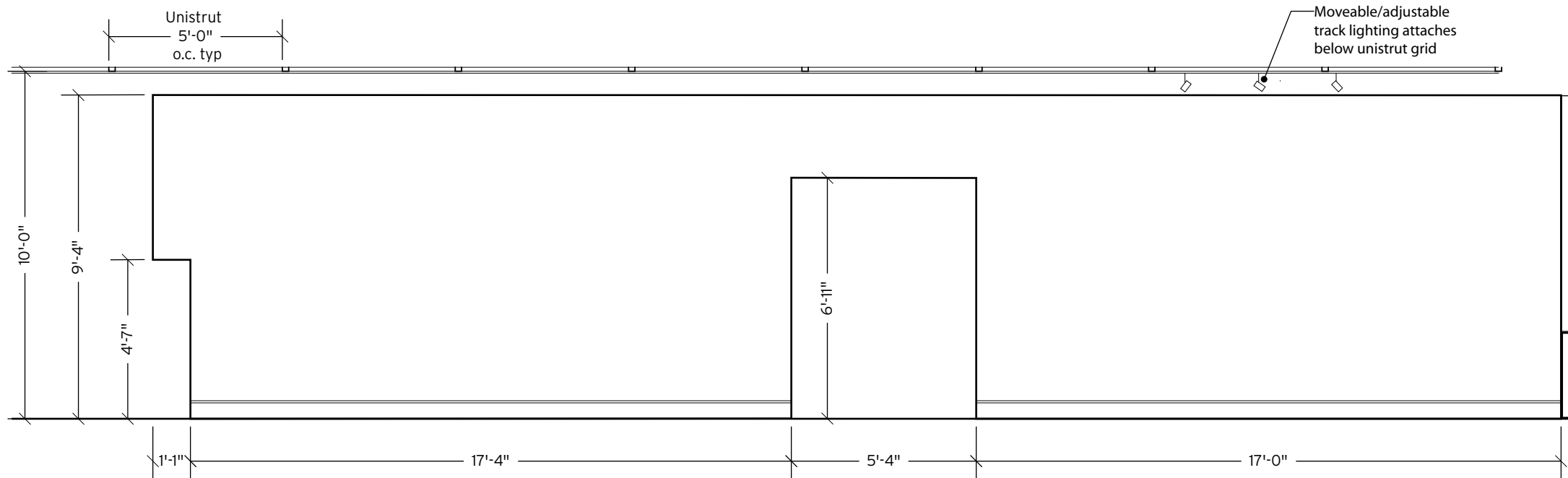


Gallery Plan

1/4" = 1'-0"

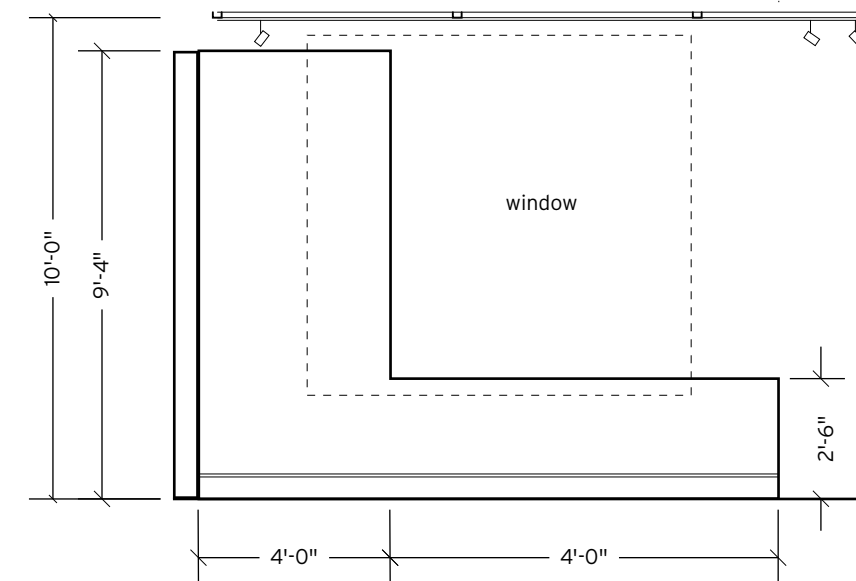
when printed on 11x17 at actual size

MLK Boulevard



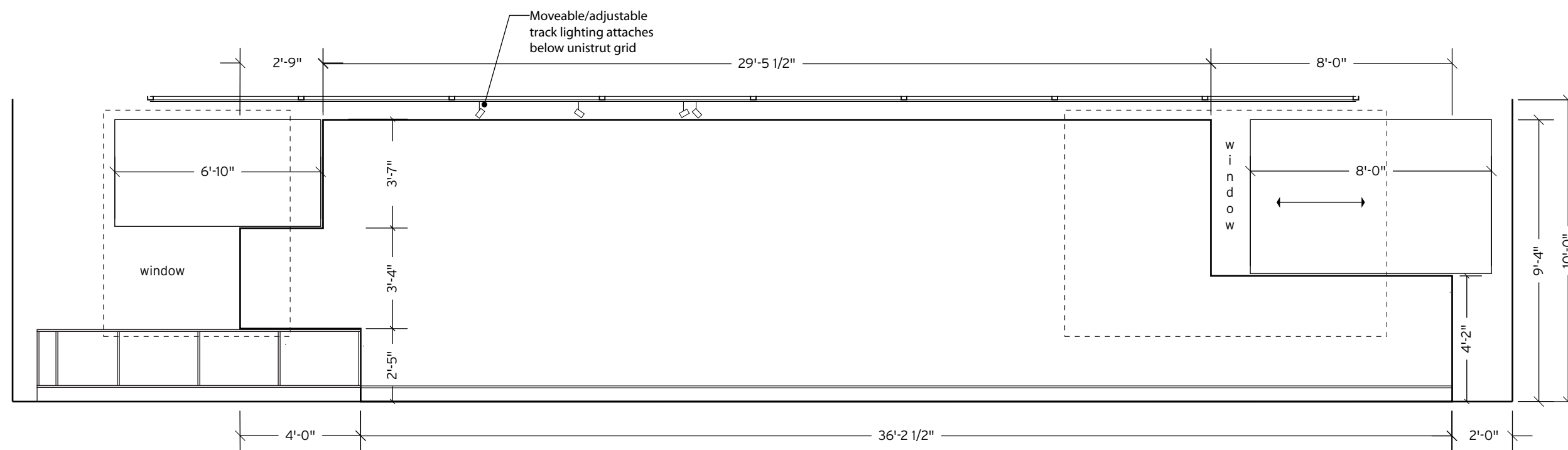
North Wall Elevation

1/4" = 1'-0" when printed on 11x17 at actual size



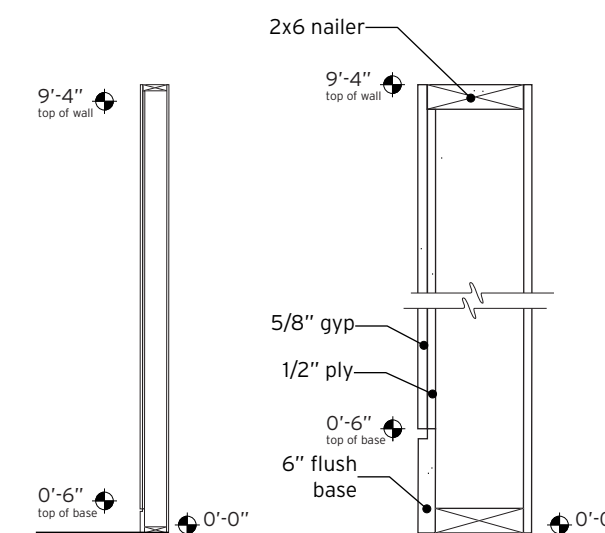
East Wall Elevation

1/4" = 1'-0"



South Wall Elevation

1/4" = 1'-0" when printed on 11x17 at actual size

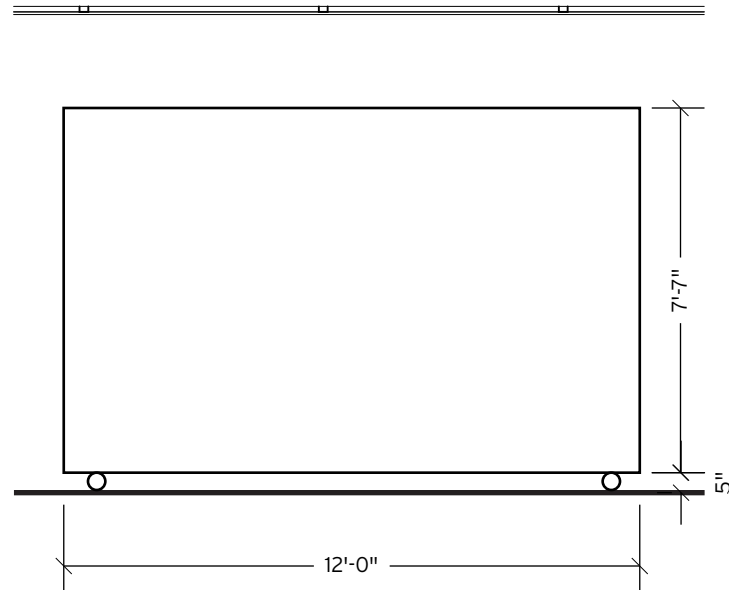
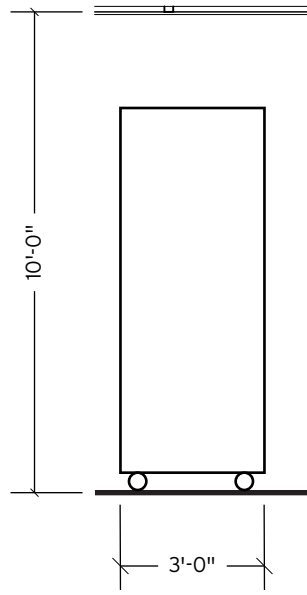


Typical Wall Section

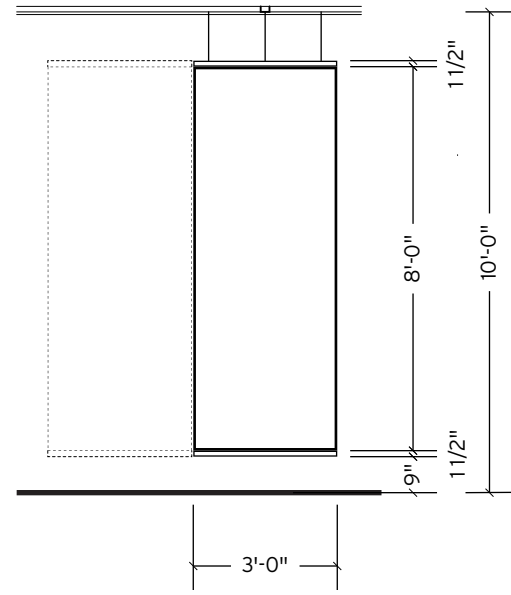
1/4" = 1'-0"

Typical Wall Detail

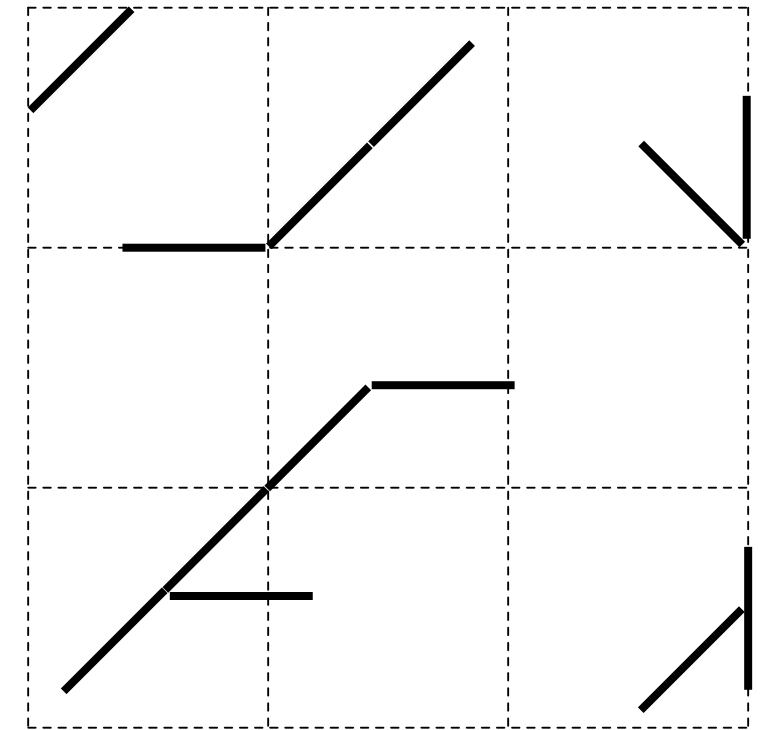
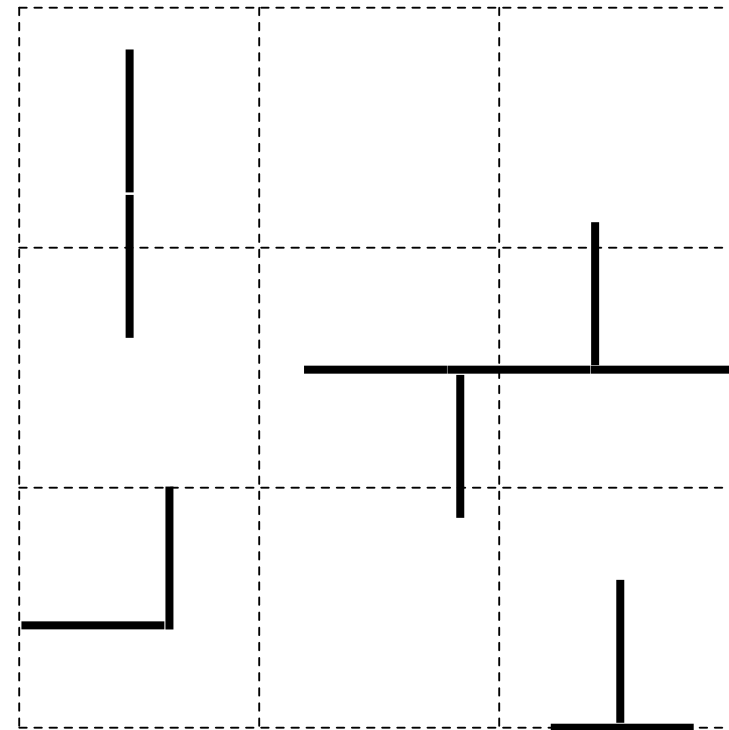
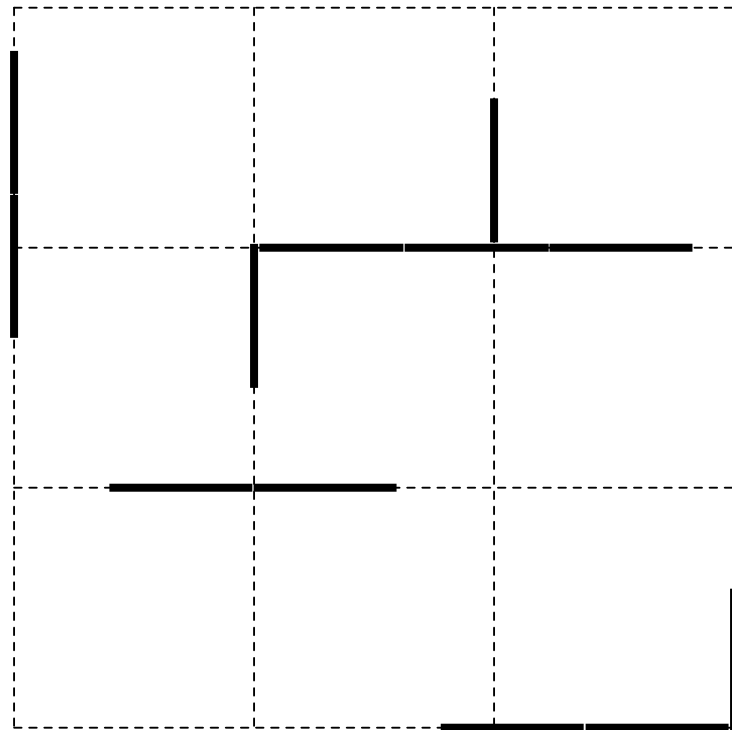
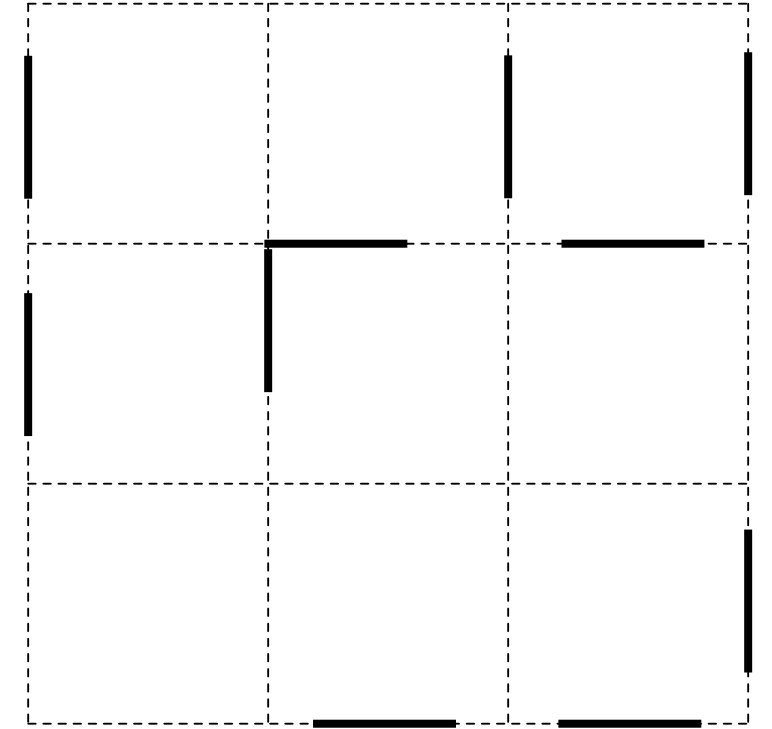
1" = 1'-0"



C-Wall Elevations
1/4" = 1'-0"



Floating Panel Elevation
1/4" = 1'-0"



Various Configurations
1/4" = 1'-0"

